

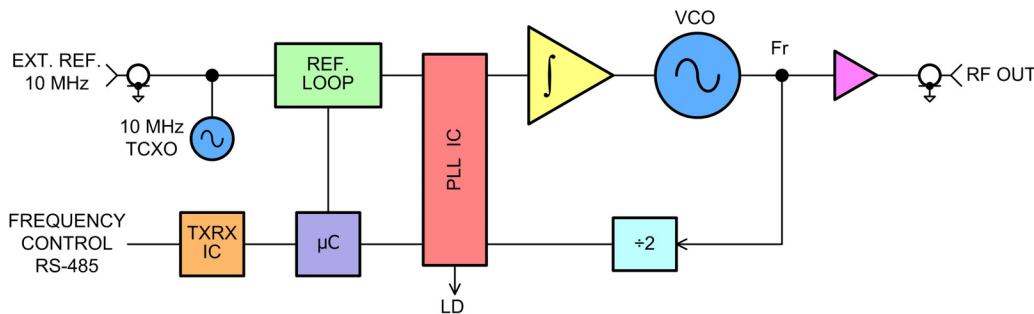
## NEW! Miniature Frequency Synthesizer to 12 GHz (Model SLSM5)

### • Features

- Up to Octave Frequency Bands, to 12 GHz
- Low Phase Noise and Spurious
- Frequency Control via RS-485 Interface
- 10 MHz External or Internal Reference
- +5.0 Vdc Operation, Low Power
- Low Cost



### • Block Diagram



### • Description

The SLSM5 is a new synthesizer design which employs the latest fractional N technology to realize a high performance versatile frequency source. The SLSM5 is ideal for many applications in communications, radar and instrumentation. This synthesizer provides outstanding performance and reliability in a high quality compact unit. Many of the SLSM5 synthesizers are available from stock at a reasonable cost.

### • SLSM5 Key Specifications

Standard Bands:	Custom – SLSM5-XXXX 6.7-7.9 GHz – SLSM5-6779 1-2 GHz – SLSM5-12 2-4 GHz – SLSM5-24 4-8 GHz – SLSM5-48 8-12 GHz – SLSM5-812 1-4 GHz – SLSM5-14
Frequency Steps:	1 kHz
Spurious:	-60 dBc
Harmonics (typ):	-20 dBc
Output Power (min.):	+13 dBm
Output Power Variation:	3 dB
Frequency Control:	RS-485
Switching Speed:	<5 msec.
External Reference:	10 MHz
Internal Reference:	±0.5 PPM (-10°C to +70°C)
Alarm:	Open Collector or TTL
Power Requirements:	+5.0 Vdc @ 300 mA
Temperature Range:	-10°C to +70°C
Size:	2.50" x 2.50" x 0.60"

