

**SPECIFICATIONS**

**FREQUENCY: SET OF 8 FREQUENCIES**

FREQUENCY (MHz)	SWITCH		
	C	B	A
F1 - 97.00	H	H	H
F2 - 98.00	H	H	L
F3 - 99.00	H	L	H
F4 - 100.00	H	L	L
F5 - 101.00	L	H	H
F6 - 102.00	L	H	L
F7 - 103.00	L	L	H
F8 - 104.00	L	L	L

**FREQUENCY STABILITY**

Vs. TEMPERATURE RANGE C1: ±20 ppm (MAX)  
 Vs. POWER SUPPLY: ±1 ppm (MAX)  
 Vs. LOAD: ±1 ppm (MAX)

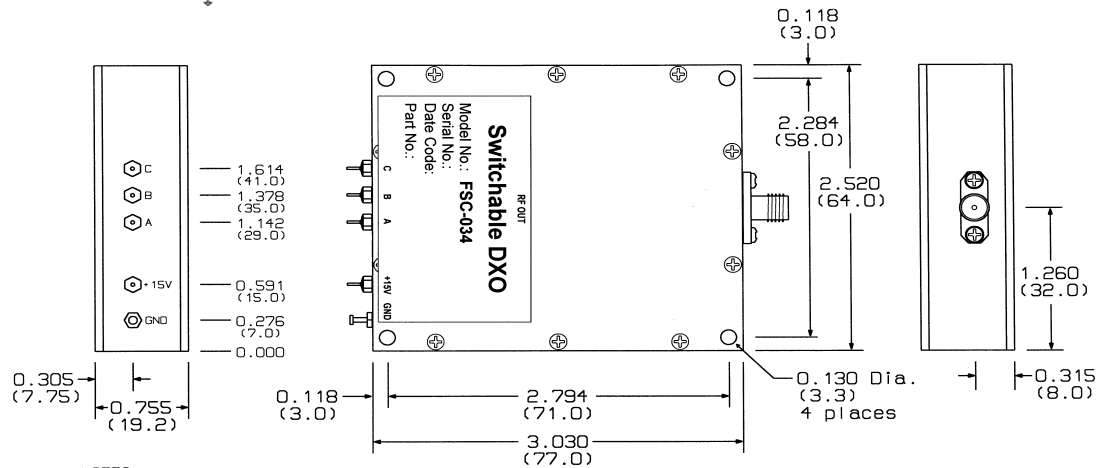
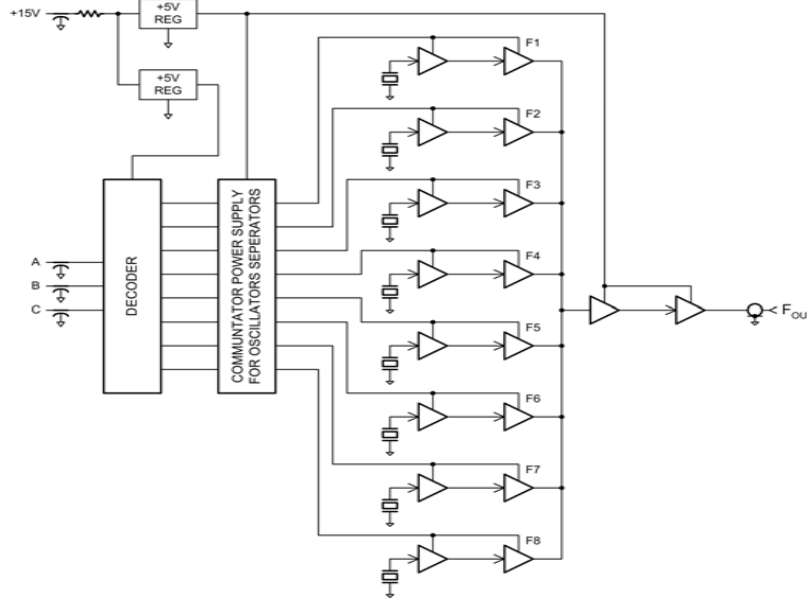
**OUTPUT SIGNAL WAVEFORM**

LEVEL: 4 to 10 dBm  
 HARMONICS / DUTY CYCLES: -25 dBc (MIN.)  
 -60 dBc (MIN.)  
 LOAD: 50 ±10% OHM (NOM.)

**TEMPERATURE RANGE**

OPERATING G1: -40C to +71C  
 STORAGE G3: -55C to +85C

POWER SUPPLY (Vcc): +6 to +15V @ 200 mA

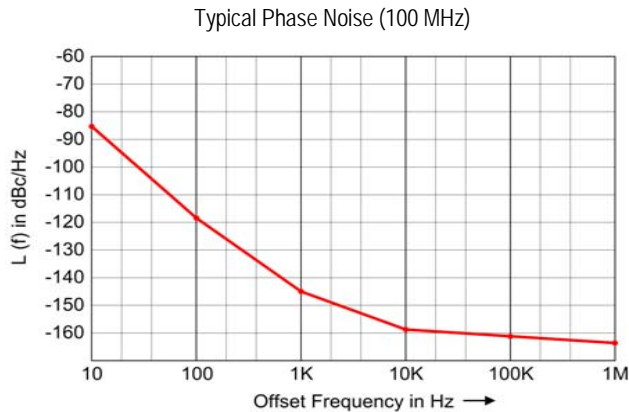


**NOTES:**

- MATERIAL: ALUM ALLOY 6061-T6
- FINISH: Chemical Conversion Coating: MIL-DTL-5541F Type II, Class 3, Clear (RoHS Compliant)
- DIMENSIONS: INCHES (mm)
- TOLERANCE INCHES: .xxx = +/- .005

**PIN DESCRIPTION**

A	TTL CONTROL	(3 BIT)
B	TTL CONTROL	
C	TTL CONTROL	
+15V	DC CONNECTOR	FILTERED SOLDER TERMINAL
RF	RF CONNECTOR	SMA (F)



**Luff Research, Inc.**  
 FLORAL PARK, NY  
 PHONE: (516) 358-2880 FAX: (516) 358-2757

**PRODUCT DATA SHEET**

**SWITCHABLE FREQUENCIES XO**

Model: FSC-034-1	05/16/08
------------------	----------